

LED SLIM PUCK

2018:5



Call NOW (888)-977-8737 WWW.SUPERTECHLEDS.COM

SAN ANTONIO

3714 Northwest Loop 410,
San Antonio, Texas, 78229.

☎ (210)-290-8493

NORTH RICHLAND HILLS

6805 NE Loop 820, Suite#406,
North Richland Hills, Texas, 76180.

☎ (817)-576-4113

RICHARDSON

318 South Central Expressway, STE 113,
Richardson, Texas, 75080, United States.

☎ (469)-372-0795

1-PACK INCLUDED COMPONENTS:

- 1 X LED puck light
- Surface mounting ring
- Trim ring
- Mounting hardware

3-PACK INCLUDED COMPONENTS:

- 3 X LED puck light
- Surface mounting ring
- Trim ring
- LED Driver, constant voltage, 12V, Class II
- Mounting hardware

IMPORTANT: Read all instructions before installing fixtures. Retain for future reference.

- To be used only with listed class 2 power supplies.
- Always consider voltage drop effect when linking fixtures together.
- To extend driver life span, do not exceed 80% of driver rated load.

SAFETY: For your safety, this fixture must be wired in accordance to local electrical codes and ordinances. All work should be done by a qualified electrician.

WARNING: Make certain power is OFF from the electrical panel before starting installation or attempting any maintenance. Indoor installation only.

TOOLS REQUIRED:

- Power Drill
- Screw Driver
- Cut hole saw (Recess mounting)

ASSEMBLY INSTRUCTIONS:

1. Open packaging and place all components onto a clean surface.

2. Turn power OFF from the electrical panel before starting installation.

3.A) For surface mounting (fig.1) :

- Lift the LED light and trim ring out of the surface mounting ring. Position mounting ring into the desired location. Wire groove side face down. Attach it to medium using the screws provided.
- Ensure the wire for the LED puck light is positioned in the wire groove of surface mounting ring. Pull the excess wire through the wire notch, then re-attach the LED light to the surface mounting ring magnet tabs.
- Connect the trim ring to the LED puck light magnet tabs.

B) For recessed mounting (fig.2) :

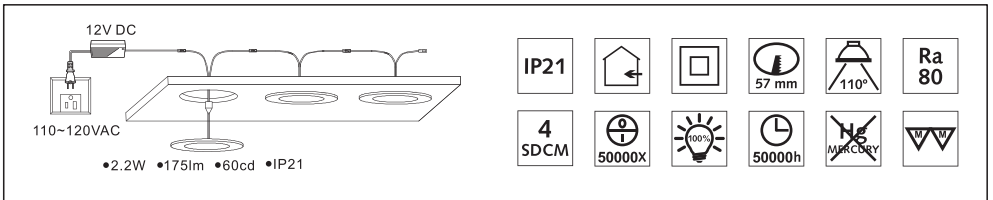
- Remove the surface mounting ring and trim ring from the puck light.
- In your desired area, drill a $\phi 2-1/4"$ (57mm) hole, using a cut hole saw (supplied by others). Run the wires through the cut hole, secure the LED puck light to medium with screws provided.
- Connect the trim ring back to the LED puck light magnetic tabs.

4. A) For Hardwire: Use wire type and gauge suitable for application to connect the fixtures, and twist-on wire connectors(supplied by others) [Fig.3A]. Ensure correct polarity is followed through the line [Fig.3].

B) For Plug-in: Make a daisy chain connection with male to female plug. Attach the plug to output end of the 12V constant voltage driver [Fig. 1, Fig. 2].

5. Rest driver to the desired secured location.

6. Once assembly is complete, turn on power to confirm fixture is working properly.



Conforms to
UL Std 2108
Certified to
CSA Std C22.2
NO.9.0
Intertek
5005586
Low voltage LED luminaire
Indoor use only.

SUITABLE FOR UNDER-CABINET MOUNT.
INHERENTLY PROTECTED.
USE ONLY WITH CLASS 2 POWER UNIT.
SUITABLE FOR MOUNTING INSIDE CABINET.

Call NOW (888)-977-8737 WWW.SUPERTECHLEDS.COM

SAN ANTONIO

3714 Northwest Loop 410,
San Antonio, Texas, 78229.

(210)-290-8493

NORTH RICHLAND HILLS

6805 NE Loop 820, Suite#406,
North Richland Hills, Texas, 76180.

(817)-576-4113

RICHARDSON

318 South Central Expressway, STE 113,
Richardson, Texas, 75080, United States.

(469)-372-0795

Fig.1 Surface Mount

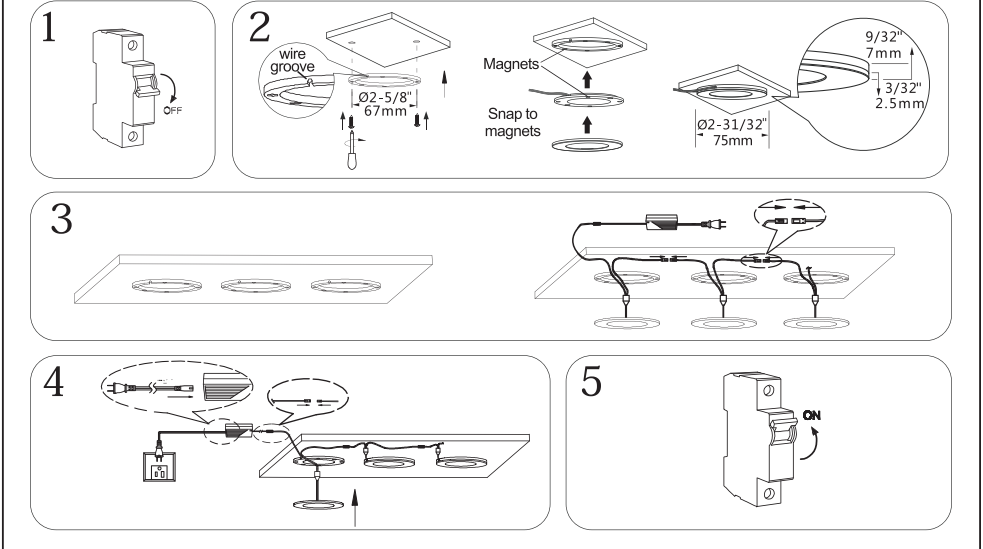
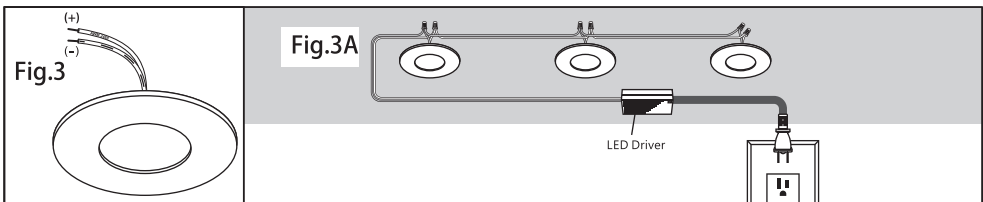
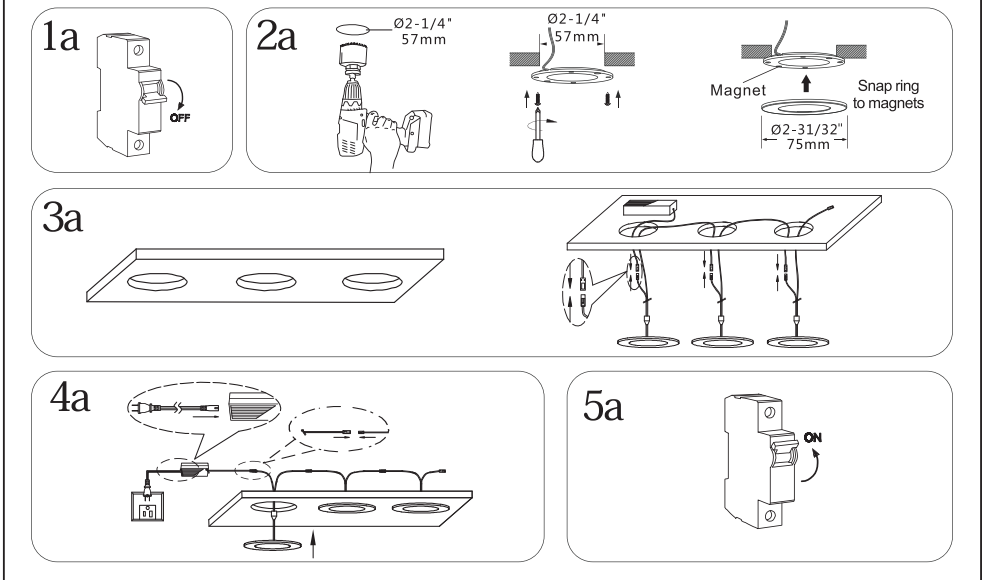


Fig.2 Recessed Mount



Call NOW (888)-977-8737 WWW.SUPERTECHLEDS.COM

SAN ANTONIO

3714 Northwest Loop 410,
San Antonio, Texas, 78229.

(210)-290-8493

NORTH RICHLAND HILLS

6805 NE Loop 820, Suite#406,
North Richland Hills, Texas, 76180.

(817)-576-4113

RICHARDSON

318 South Central Expressway, STE 113,
Richardson, Texas, 75080, United States.

(469)-372-0795

PRODUCT FEATURES:

1. Input 12V or 24V DC
2. Multiple colors of surface finish
3. Changeable trim ring with magnet
4. 7mm thickness, slim structure
5. Easy replacement



Changeable Trim Ring



White Black Silver Nickel

Easy Assembling
magnetic attracting each part



Call NOW (888)-977-8737 WWW.SUPERTECHLEDS.COM

SAN ANTONIO

3714 Northwest Loop 410,
San Antonio, Texas, 78229.

☎ (210)-290-8493

NORTH RICHLAND HILLS

6805 NE Loop 820, Suite#406,
North Richland Hills, Texas, 76180.

☎ (817)-576-4113

RICHARDSON

318 South Central Expressway, STE 113,
Richardson, Texas, 75080, United States.

☎ (469)-372-0795

APPLICATION:

Kitchen



Bookshelf



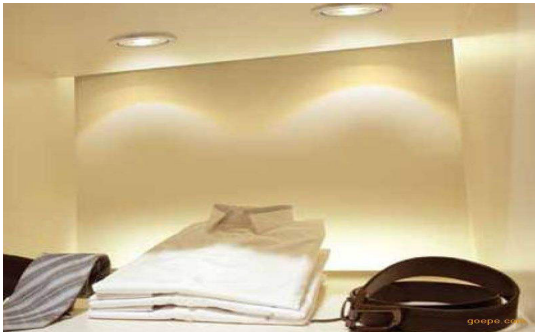
Cupboard



Wine Cabinet



Closet



Display Case



Call NOW (888)-977-8737 WWW.SUPERTECHLEDS.COM

SAN ANTONIO

3714 Northwest Loop 410,
San Antonio, Texas, 78229.

☎ (210)-290-8493

NORTH RICHLAND HILLS

6805 NE Loop 820, Suite#406,
North Richland Hills, Texas, 76180.

☎ (817)-576-4113

RICHARDSON

318 South Central Expressway, STE 113,
Richardson, Texas, 75080, United States.

☎ (469)-372-0795